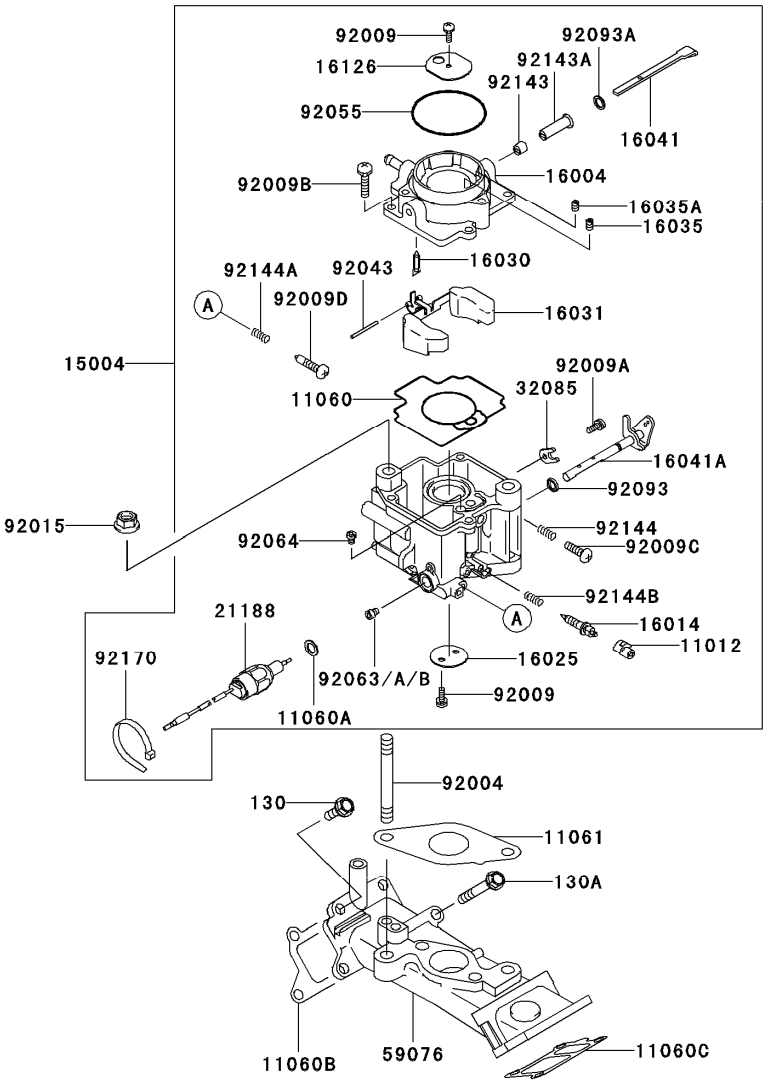


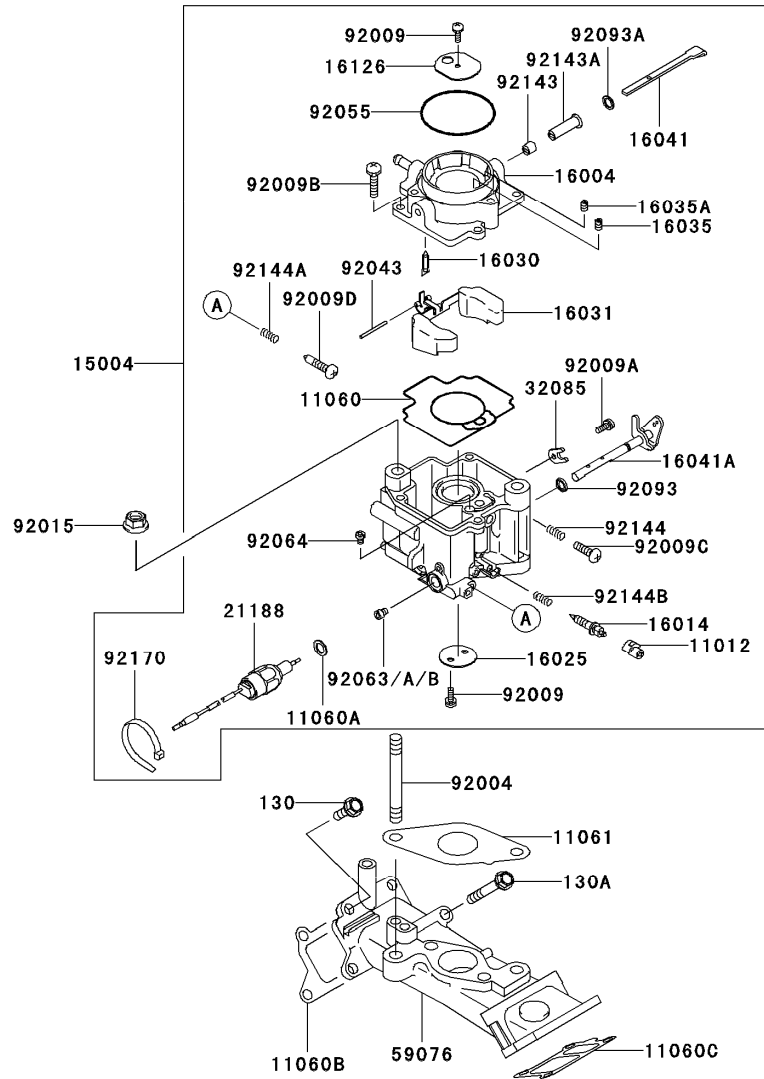
Ref #	Part Number	Qty.	Description
11011	11011-2261	1	CASE-AIR FILTER
11011A	11011-2323	1	CASE-AIR FILTER
11013	11013-2114	1	ELEMENT-AIR FILTER
11013A	11013-2204	1	ELEMENT-AIR FILTER
11047	11047-2057-9H	1	BRACKET
11056	11056-0941-9H	1	BRACKET
11060	11060-2079	2	GASKET,MUFFLRT
16060	16060-2185	1	PIPE-INTAKE
32032	32032-3001	1	PIPE,PULSE
49070	49070-2593-9Y	1	MUFFLER-COMP
59071	59071-3717	1	JOINT
92002	92002-2230	2	BOLT
92037	92037-2113	2	CLAMP
92066	92066-0716	1	PLUG
92143	92143-2178	3	COLLAR,5.1X6.3X14
92143A	92143-2189	4	COLLAR,6.2X7.8X7.5
92161	92161-2058	2	DAMPER
92170	92170-2075	1	CLAMP
92191	92191-2010	1	TUBE
92191A	92191-2101	1	TUBE
92200	92200-2059-9H	2	WASHER,6.5X50X3.2
130	130AA0816	2	BOLT-FLANGED,8X16
234	234AA0525	3	SCREW-PAN-WSP+-,5X25
242	242AA0516	4	SCREW-PAN-WSP+-,5X16
311	311BA0600	4	NUT-HEX,6MM
461	461DA0600	4	WASHER-SPRING,6MM

E0180-A3210



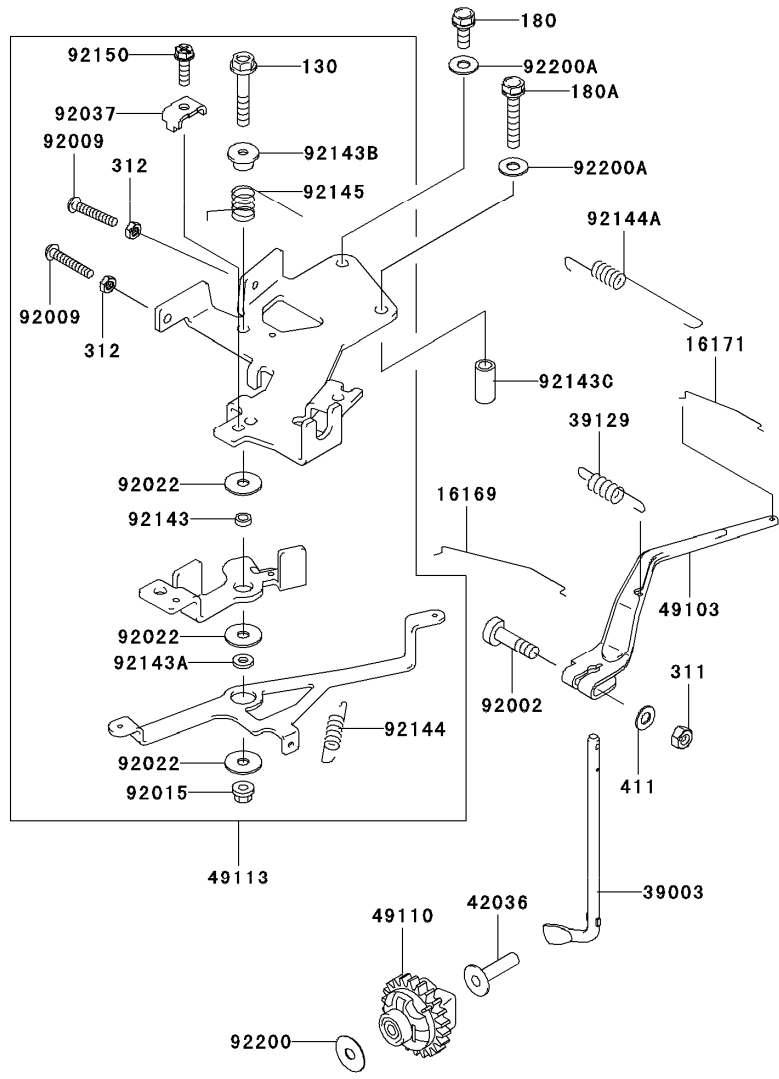
Ref #	Part Number	Qty.	Description
11012	11012-2381	1	CAP
11060	11060-2072	1	GASKET
11060A	11060-2073	1	GASKET
11060B	11060-2087	1	GASKET,INTAKE MANIFOLD
11060C	11060-2088	1	GASKET,INTAKE MANIFOLD
11061	11061-2106	1	GASKET,CARBURETOR-MANIFOLD
15004	15004-2067	1	CARBURETOR-ASSY
16004	16004-2051	1	CAP-CHAMBER
16014	16014-2077	1	SCREW-PILOT AIR
16025	16025-2212	1	VALVE-THROTTLE
16030	16030-2089	1	VALVE-FLOAT
16031	16031-2071	1	FLOAT
16035	16035-2074	1	JET-AIR,#0.9
16035A	16035-2084	1	JET-AIR,#1.6
16041	16041-2218	1	SHAFT-CARBURETOR,CHOKE
16041A	16041-2251	1	SHAFT-CARBURETOR
16126	16126-2185	1	VALVE,CHOKE
21188	21188-2014	1	SOLENOID
32085	32085-2089	1	STOPPER
59076	59076-2075	1	MANIFOLD-INTAKE
92004	92004-2143	2	STUD,8X80
92009	92009-2330	3	SCREW,3X5.5
92009A	92009-2331	1	SCREW
92009B	92009-2332	4	SCREW
92009C	92009-2333	1	SCREW
92009D	92009-2334	1	SCREW
92015	92015-1143	2	NUT
92043	92043-2196	1	PIN
92055	92055-2175	1	RING-O,49.4MM
92063	92063-2241	AR	JET-MAIN,#112,6560FT
92063A	92063-2354	AR	JET-MAIN,#114,3280FT
92063B	92063-2491	1	JET-MAIN,#116
92064	92064-2151	1	JET-PILOT,#46
92093	92093-2092	1	SEAL
92093A	92093-2093	1	SEAL
92143	92143-2191	1	COLLAR
92143A	92143-2192	1	COLLAR
92144	92144-2306	1	SPRING
92144A	92144-2307	1	SPRING
92144B	92144-2397	1	SPRING

E0180-A3210



Ref #	Part Number	Qty.	Description
92170	92170-2098	1	CLAMP
130	130AA0620	5	BOLT-FLANGED,6X20
130A	130AA0645	3	BOLT-FLANGED,6X45

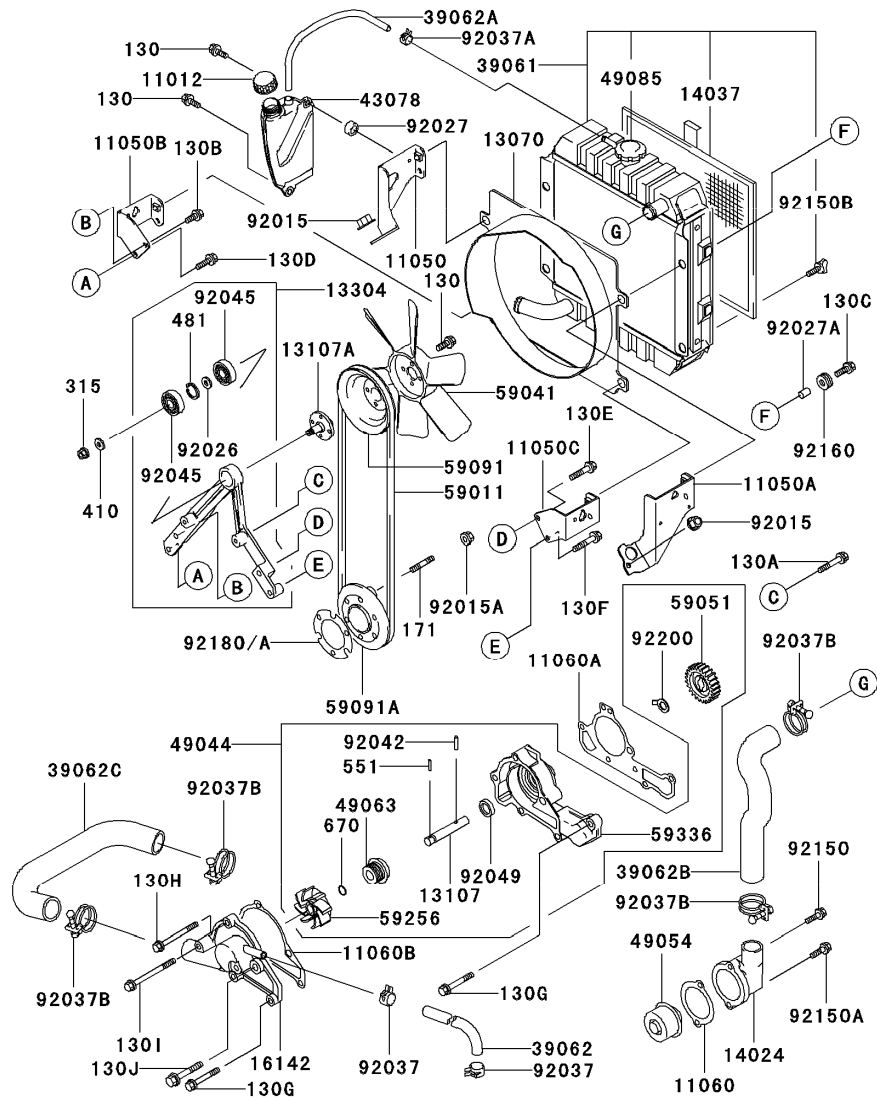
E0170-A208A



Ref #	Part Number	Qty.	Description
16169	16169-2092	1	LINK-CHOKE
16171	16171-2065	1	LINK
39003	39003-2083	1	ARM-PIVOT
39129	39129-2081	1	SPRING-GOVERNOR
42036	42036-2060	1	SLEEVE
49103	49103-2141	1	ARM-GOVERNOR
49110	49110-2086	1	GOVERNOR-ASSY
49113	49113-2165	1	PANEL-COMP-CONTROL
92002	92002-2269	1	BOLT,6X28
92009	92009-2381	2	SCREW,5X30
92015	92015-1339	1	NUT
92022	92022-2372	3	WASHER,6X19X1.2
92037	92037-2209	2	CLAMP
92143	92143-1596	1	COLLAR,6.2X10X3.4
92143A	92143-2135	1	COLLAR,6X13X2.3
92143B	92143-2148	1	COLLAR
92143C	92143-2200	1	COLLAR,6.8X10X20.5
92144	92144-2052	1	SPRING
92144A	92144-2287	1	SPRING
92145	92145-2058	1	SPRING
92150	92150-2182	2	BOLT,5X18
92200	92200-2036	1	WASHER,6.2X20X0.5
92200A	92200-2070	2	WASHER
130	130AA0635	1	BOLT-FLANGED,6X35
180	180AA0616	1	BOLT-UPSET-WS,6X16
180A	180AA0635	1	BOLT-UPSET-WS,6X35
311	311AA0600	1	NUT-HEX,6MM
312	312B0500	2	NUT-HEX,5MM
411	411AA0600	1	WASHER-PLAIN,6MM

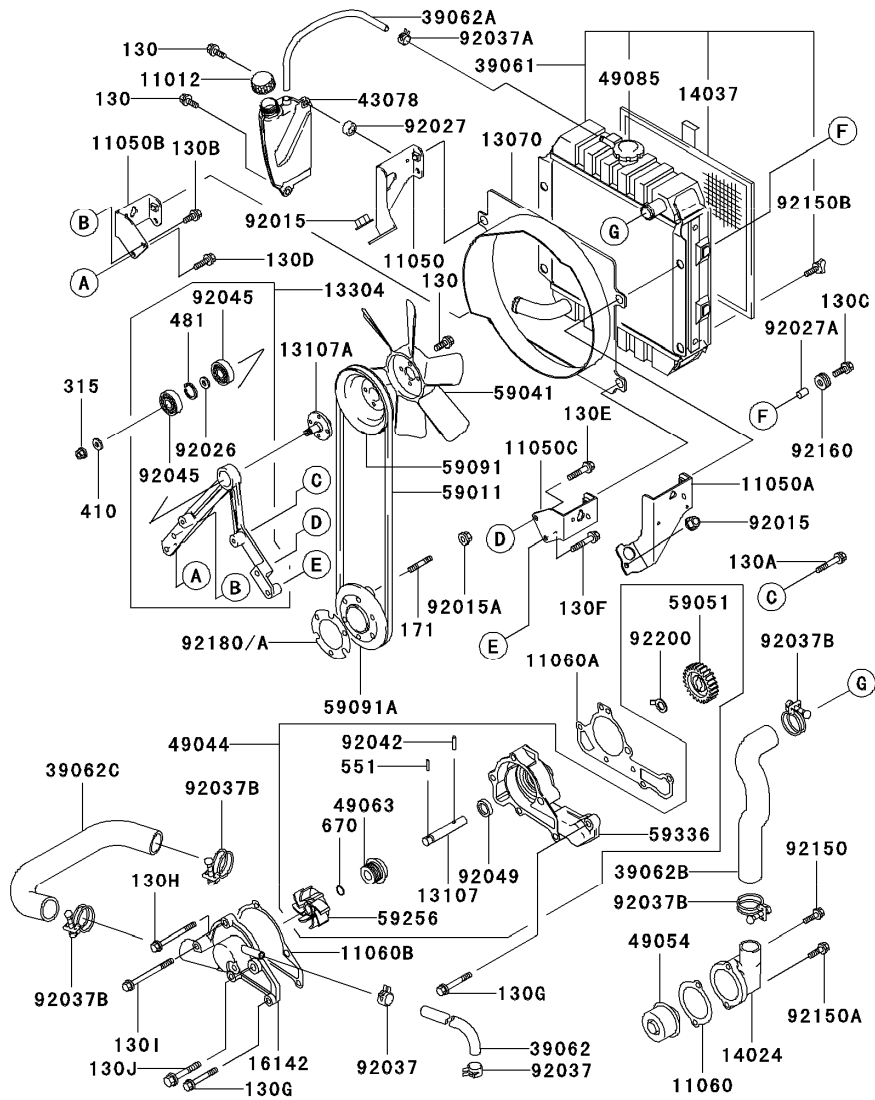


E0150-A248P



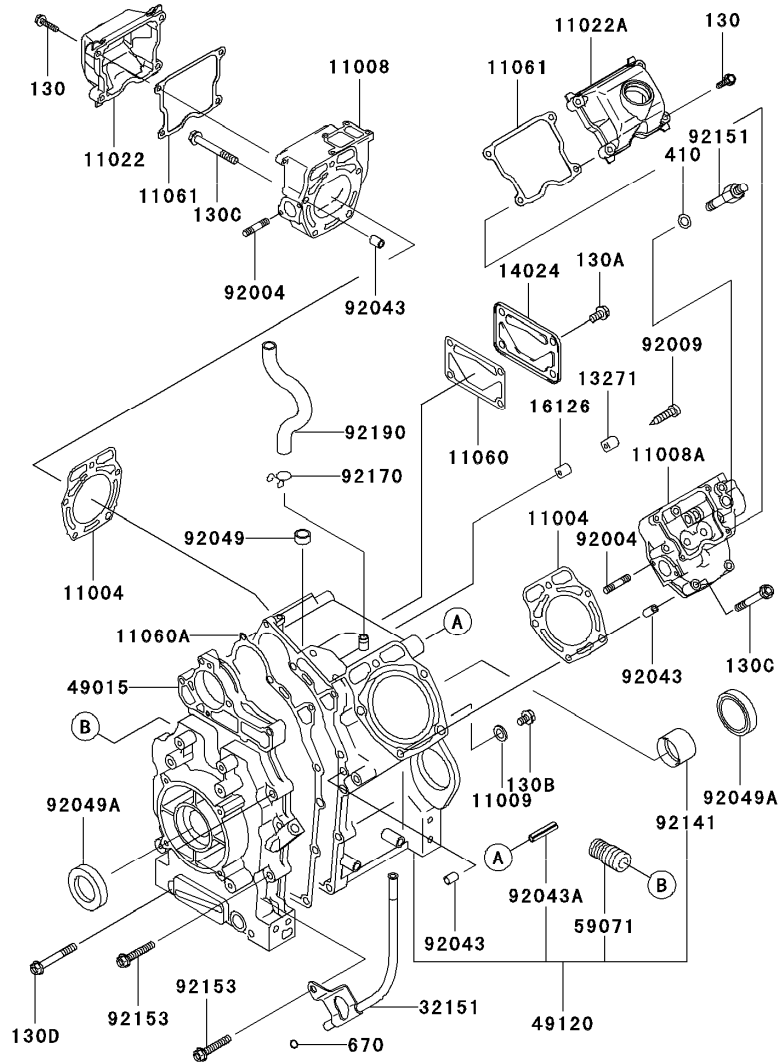
Ref #	Part Number	Qty.	Description
11012	11012-1084	1	CAP
11050	11050-2087-9H	1	BRACKET
11050A	11050-2088-9H	1	BRACKET
11050B	11050-2089-9H	1	BRACKET
11050C	11050-2104	1	BRACKET
11060	11060-2084	1	GASKET,THERMOSTAT COVER
11060A	11060-2450	1	GASKET,PUMP CASE
11060B	11060-2451	1	GASKET,PUMP COVER
13070	13070-2093	1	GUIDE
13107	13107-2097	1	SHAFT,IMPELLER
13107A	13107-2246	1	SHAFT,PULLEY
13304	13304-6007	1	HOUSING-ASSY
14024	14024-2293	1	COVER,THERMOSTAT
14037	14037-2128	1	SCREEN
16142	16142-2069	1	COVER-PUMP
39061	39061-2056	1	RADIATOR-ASSY
39062	39062-2051	1	HOSE-COOLING,7.5X13.5X305
39062A	39062-2054	1	HOSE-COOLING,7.5X10.5X460
39062B	39062-2062	1	HOSE-COOLING
39062C	39062-2063	1	HOSE-COOLING
43078	43078-2055	1	RESERVOIR
49044	49044-2066	1	PUMP-WATER
49054	49054-2056	1	THERMOSTAT
49063	49063-1056	1	SEAL-MECHANICAL
49085	49085-2052	1	CAP-ASSY-PRESSURE
59011	59011-2056	1	BELT,FAN
59041	59041-2063	1	FAN,COOLING
59051	59051-2113	1	GEAR-SPUR
59091	59091-2052-9H	1	PULLEY
59091A	59091-2053	1	PULLEY
59256	59256-2057	1	IMPELLER
59336	59336-2052	1	CASE-PUMP
92015	92015-1014	2	NUT
92015A	92015-1143	3	NUT
92026	92026-2311	1	SPACER,12X18X1.4
92027	92027-1565	1	COLLAR
92027A	92027-271	4	COLLAR
92037	92037-1181	2	CLAMP,HOSE CLIP
92037A	92037-2001	1	CLAMP
92037B	92037-2210	4	CLAMP

E0150-A248P



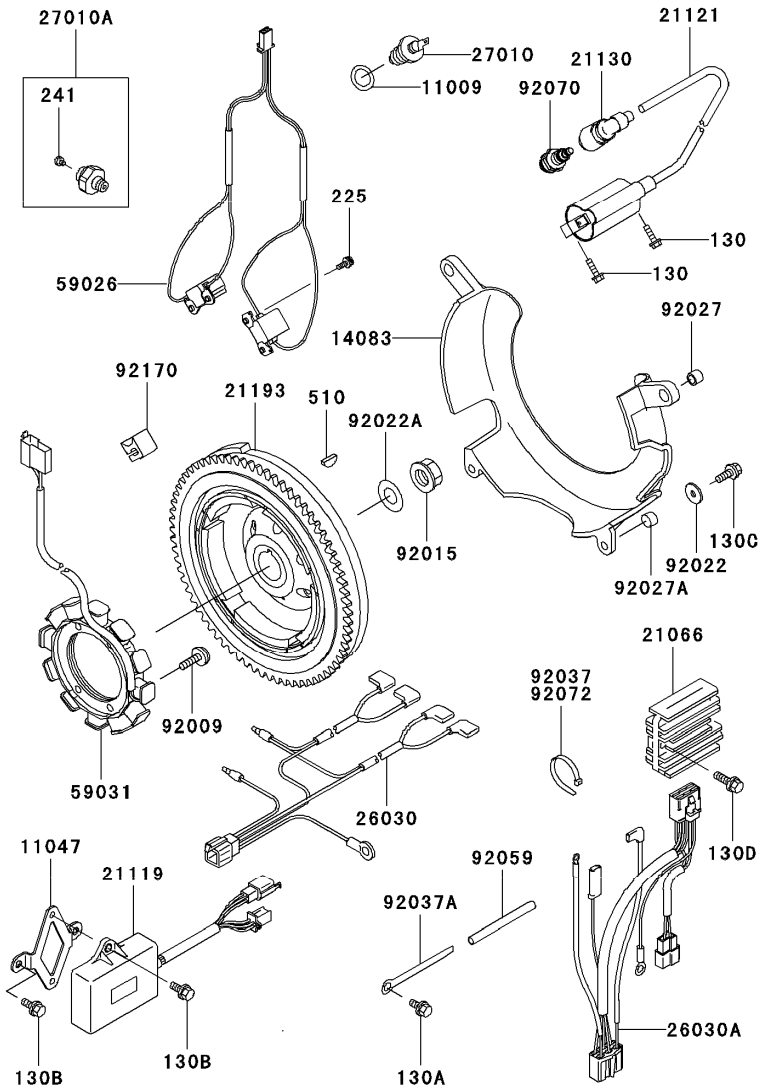
Ref #	Part Number	Qty.	Description
92042	92042-014	1	PIN
92045	92045-2191	2	BEARING-BALL,6001DDUC3
92049	92049-2111	1	SEAL-OIL
92150	92150-2230	1	BOLT,6X40
92150A	92150-2231	1	BOLT,6X20
92150B	92150-2255	1	BOLT
92160	92160-2034	4	DAMPER
92180	92180-2013	AR	SHIM,T=0.6
92180A	92180-2014	AR	SHIM,T=1.2
92200	92200-2044	1	WASHER
130	130AA0616	6	BOLT-FLANGED,6X16
130A	130AA0635	2	BOLT-FLANGED,6X35
130B	130AA0820	1	BOLT-FLANGED,8X20
130C	130AA0825	4	BOLT-FLANGED,8X25
130D	130AA0830	1	BOLT-FLANGED,8X30
130E	130AA0840	1	BOLT-FLANGED,8X40
130F	130BA0845	1	BOLT-FLANGED,8X45
130G	130CA0645	3	BOLT-FLANGED,6X45
130H	130CA0665	1	BOLT-FLANGED,6X65
130I	130CA0675	1	BOLT-FLANGED,6X75
130J	130CA0870	1	BOLT-FLANGED,8X70
171	171BA0818	3	BOLT-STUD,8X18
315	315AA1000	1	NUT-HEX-FINE,10MM
410	410AA1000	1	WASHER-PLAIN-SMALL,10MM
481	481J2800	1	CIRCLIP,28MM
551	551A0314	1	PIN-DOWEL,3X14
670	670B1507	1	O RING,7MM

E0110-A723A



Ref #	Part Number	Qty.	Description
11004	11004-2107	2	GASKET-HEAD
11008	11008-2139	1	HEAD-COMP-CYLINDER
11008A	11008-6033	1	HEAD-COMP-CYLINDER
11009	11009-3028	2	GASKET,8.2X12X1
11022	11022-2081	1	CASE-ROCKER
11022A	11022-2082	1	CASE-ROCKER
11060	11060-2089	1	GASKET,BREATHER,COVER
11060A	11060-2449	1	GASKET,CRANKCASE COVER
11061	11061-2199	2	GASKET,CASE-ROCKER
13271	13271-2054	1	PLATE
14024	14024-2292	1	COVER
16126	16126-2146	1	VALVE
32151	32151-2031-9H	1	PIPE,OIL GAUGE
49015	49015-6204	1	COVER-CRANKCASE
49120	49120-2291	1	CRANKCASE-COMP
59071	59071-2079	1	JOINT
92004	92004-2142	4	STUD,6X20
92009	92009-2308	1	SCREW
92043	92043-1037	6	PIN
92043A	92043-2227	1	PIN
92049	92049-2097	1	SEAL-OIL,VC6X10X2.5
92049A	92049-2112	2	SEAL-OIL
92141	92141-2122	1	BEARING-PLANE
92151	92151-2070	2	BOLT
92153	92153-2130	6	BOLT,8X45
92170	92170-2002	1	CLAMP
92190	92190-2147	1	TUBE
130	130AA0625	8	BOLT-FLANGED,6X25
130A	130AA0816	4	BOLT-FLANGED,8X16
130B	130AB0812	2	BOLT-FLANGED,8X12
130C	130BA0865	8	BOLT-FLANGED,8X65
130D	130CA0860	2	BOLT-FLANGED,8X60
410	410AA0800	2	W-PLAIN-S,8MM
670	670B2010	1	O RING,10MM

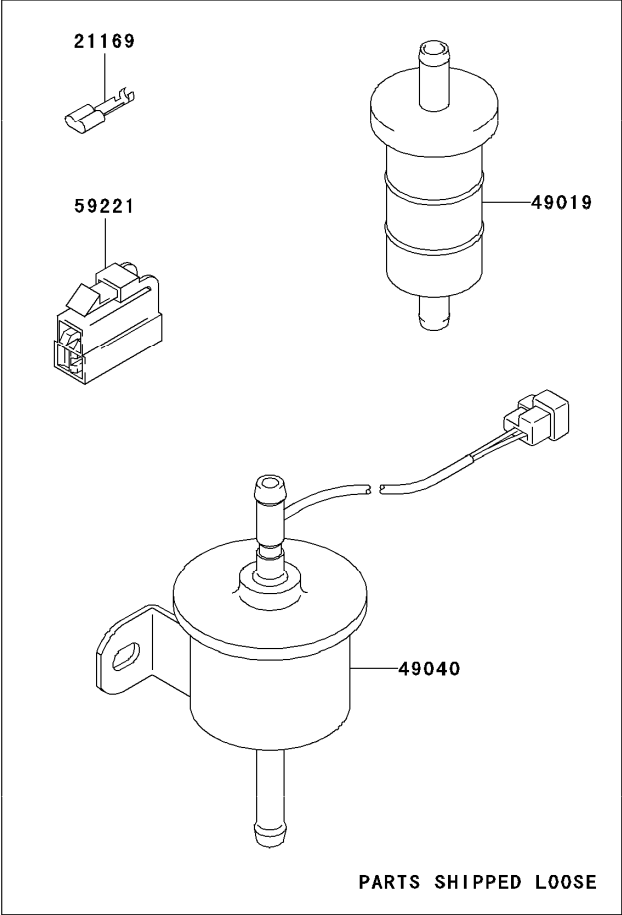
E0160-A616D



Ref #	Part Number	Qty.	Description
11009	11009-2766	1	GASKET,16X21X2
11047	11047-2036-9H	1	BRACKET
14083	14083-2051	1	COVER-FLYWHEEL
21066	21066-2070	1	REGULATOR-VOLTAGE
21119	21119-2157	1	IGNITER
21121	21121-2083	2	COIL-IGNITION
21130	21130-2060	2	CAP-SPARK PLUG
21193	21193-2205	1	FLYWHEEL-ASSY
26030	26030-2167	1	HARNESS
26030A	26030-2248	1	HARNESS
27010	27010-2182	1	SWITCH
27010A	27010-2234	1	SWITCH
59026	59026-2054	1	COIL-PULSING
59031	59031-2123	1	COIL-CHARGING
92009	92009-2273	4	SCREW,6X25
92015	92015-2167	1	NUT
92022	92022-1517	2	WASHER
92022A	92022-2245	1	WASHER
92027	92027-1568	2	COLLAR,8.3X11.5X9
92027A	92027-2096	2	COLLAR,6.2X7.8X5
92037	92037-1173	2	CLAMP
92037A	92037-2006	1	CLAMP
92059	92059-2011	1	TUBE,5X6X75
92070	92070-2112	2	PLUG-SPARK,BPR4ES,SOLID
92072	92072-1195	2	BAND
92170	92170-2056	1	CLAMP
130	130AA0520	4	BOLT-FLANGED,5X20
130A	130AA0612	1	BOLT-FLANGED,6X12
130B	130AA0614	4	BOLT-FLANGED,6X14
130C	130AA0616	2	BOLT-FLANGED,6X16
130D	130BA0620	2	BOLT-FLANGED,6X20
225	225AA0414	4	SCREW-PAN-WSP-CROS,4X14
241	241AA0406	1	SCREW-PAN-WP+-,4X6
510	510A5100	1	KEY-WOODRUFF



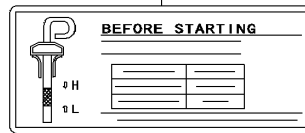
E0200-A190C



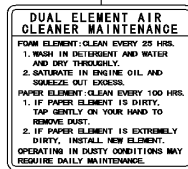
Ref #	Part Number	Qty.	Description
21169	21169-2055	2	TERMINAL
49019	49019-1055	1	FILTER-FUEL
49040	49040-2065	1	PUMP-FUEL
59221	59221-2156	1	CONNECTOR-CORD

F0290-A846A

56031



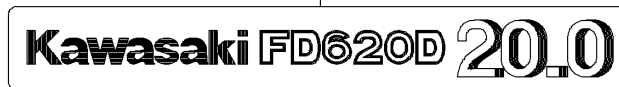
56033



56070

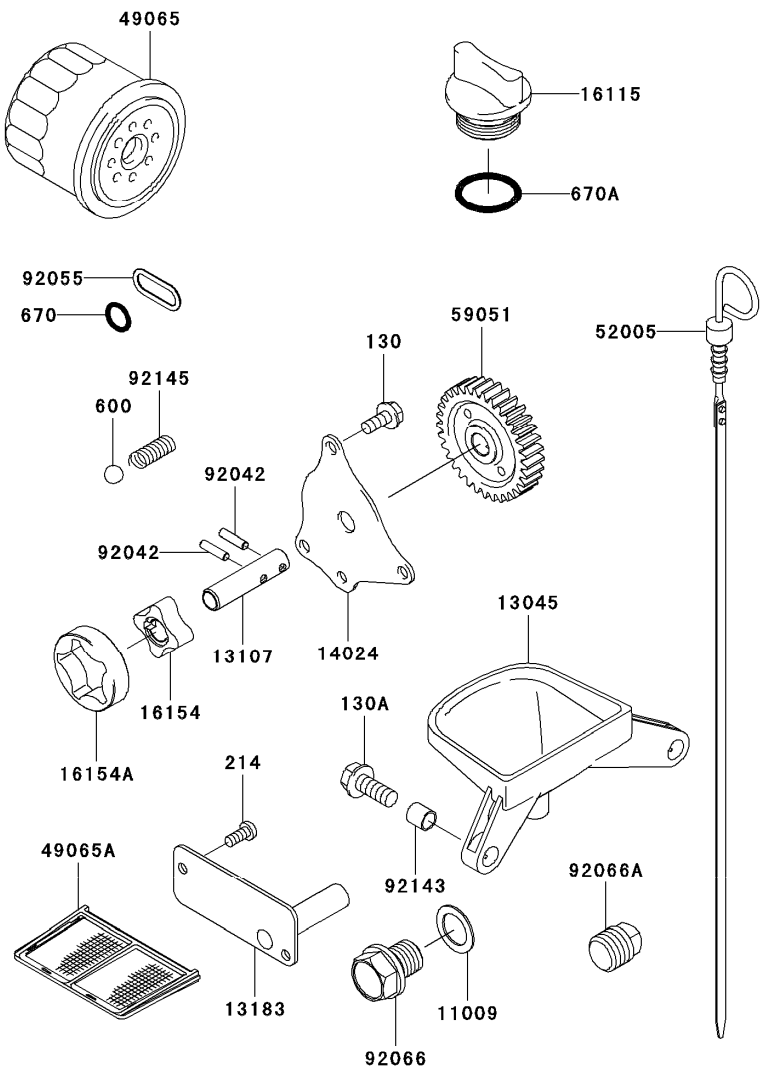


56080



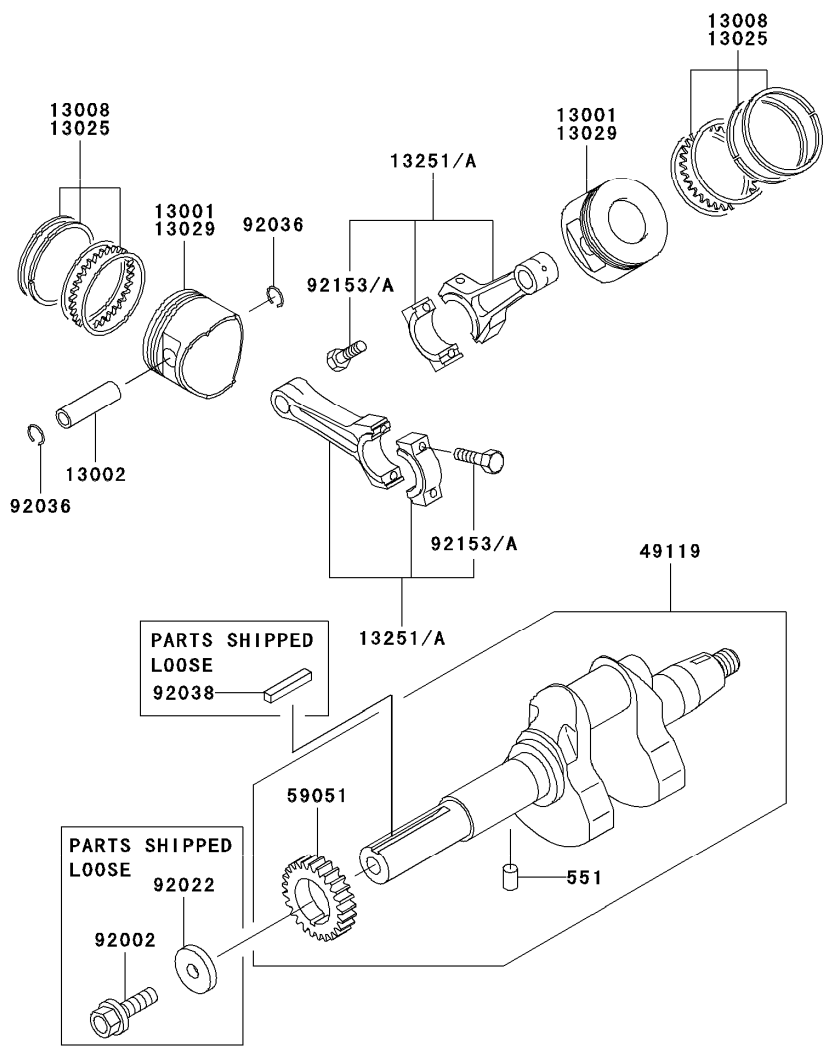
Ref #	Part Number	Qty.	Description
56031	56031-2481	1	LABEL-MANUAL
56033	56033-2081	1	LABEL-MANUAL
56070	56070-2066	1	LABEL-WARNING
56080	56080-2080	1	LABEL-BRAND

E0140-A523A



Ref #	Part Number	Qty.	Description
11009	11009-2566	1	GASKET,DRAIN PLUG
13045	13045-2051	1	RECEIVER-OIL
13107	13107-2296	1	SHAFT,OIL PUMP
13183	13183-2419	1	PLATE
14024	14024-2113	1	COVER,OIL PUMP
16115	16115-2126	1	CAP-OIL FILLER
16154	16154-2053	1	ROTOR-PUMP,IN
16154A	16154-2054	1	ROTOR-PUMP,OUT
49065	49065-2071	1	FILTER-OIL
49065A	49065-2072	1	FILTER-OIL
52005	52005-2120	1	GAUGE,OIL
59051	59051-2114	1	GEAR-SPUR
92042	92042-014	2	PIN
92055	92055-2086	1	RING-O
92066	92066-2099	1	PLUG,DRAIN
92066A	92066-2235	1	PLUG
92143	92143-2187	2	COLLAR,8.2X10X10
92145	92145-2132	1	SPRING
130	130AA0612	3	BOLT-FLANGED,6X12
130A	130AA0820	2	BOLT-FLANGED,8X20
214	214AA0512	2	SCREW-PAN+-.5X12
600	600A1300	1	BALL-STEEL,13/32"
670	670B2011	1	O RING,11MM
670A	670B3025	1	O RING,25MM

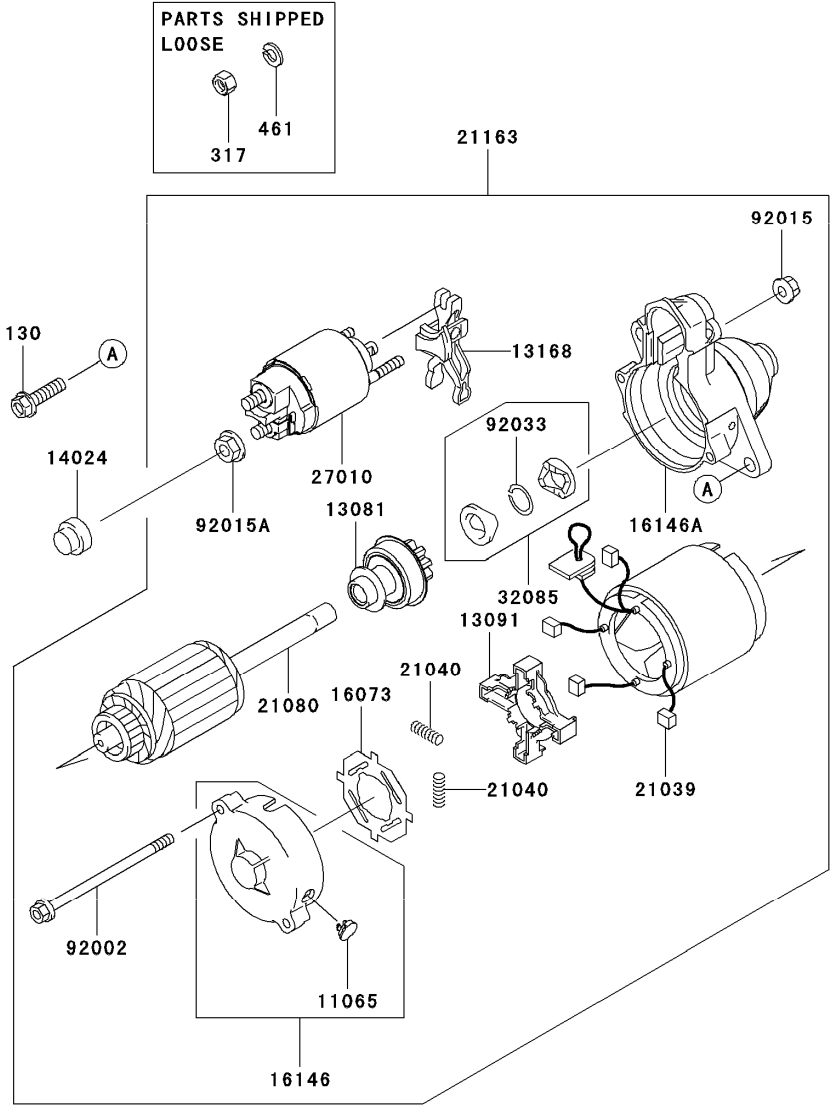
E0120-A125G



Ref #	Part Number	Qty.	Description
13001	13001-2186	2	PISTON-ENGINE
13002	13002-1013	2	PIN-PISTON
13008	13008-6025	2	RING-SET-PISTON
13025	13025-6008	AR	RING-SET-PISTON L,0.50
13029	13029-2131	AR	PISTON-ENGINE L,0.50
13251	13251-2086	2	ROD-ASSY-CONNECTING
13251A	13251-2087	AR	ROD-ASSY-CONNECTING,U/S=0.50
49119	49119-2130	1	CRANKSHAFT-ASSY
59051	59051-2112	1	GEAR-SPUR
92002	92002-2263	1	BOLT,10X28
92022	92022-2194	1	WASHER
92036	92036-021	4	RING-SNAP
92038	92038-2101	1	KEY
92153	92153-2054	AR	BOLT,7X35.2
92153A	92153-2054	4	BOLT,7X35.2
551	551A0408	1	PIN-DOWEL,4X8

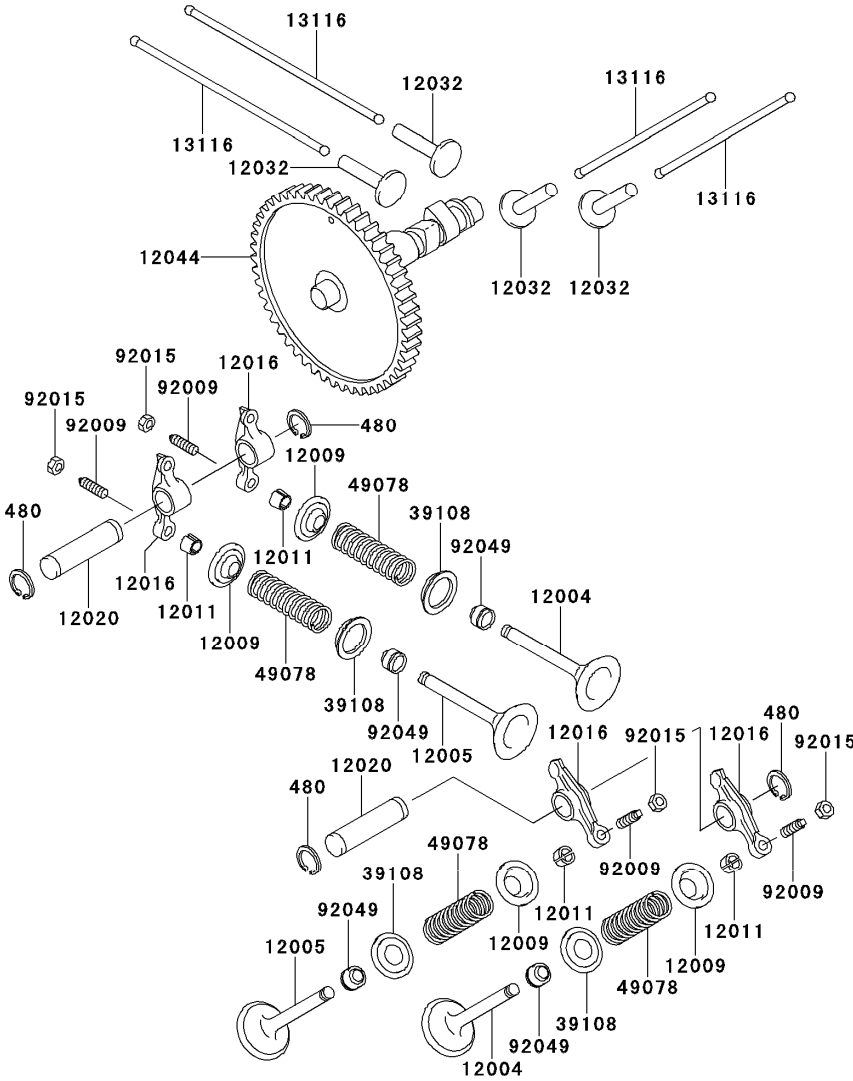


E0210-A562A



Ref #	Part Number	Qty.	Description
11065	11065-2118	1	CAP
13081	13081-2085	1	CLUTCH-ASSY
13091	13091-2068	1	HOLDER,BRUSH
13168	13168-2131	1	LEVER,SHIFT
14024	14024-2205	1	COVER
16073	16073-2098	1	INSULATOR
16146	16146-2235	1	COVER-ASSY
16146A	16146-2241	1	COVER-ASSY
21039	21039-2059	4	BRUSH
21040	21040-2052	4	SPRING-BRUSH
21080	21080-2054	1	ARMATURE
21163	21163-2147	1	STARTER-ELECTRIC
27010	27010-7005	1	SWITCH
32085	32085-2097	1	STOPPER
92002	92002-2277	2	BOLT
92015	92015-2146	2	NUT
92015A	92015-2147	1	NUT
92033	92033-2081	1	RING-SNAP
130	130AA0830	2	BOLT-FLANGED,8X30
317	317AA0800	1	NUT-HEX-SMALL,8MM
461	461DA0800	1	WASHER-SPRING,8MM

E0130-A070A



Ref #	Part Number	Qty.	Description
12004	12004-2115	2	VALVE-INTAKE
12005	12005-2093	2	VALVE-EXHAUST
12009	12009-2067	4	RETAINER-VALVE SPRING
12011	12011-2056	8	COLLET
12016	12016-2056	4	ARM-ROCKER
12020	12020-2059	2	SHAFT-ROCKER
12032	12032-2064	4	TAPPET
12044	12044-2239	1	CAMSHAFT-VALVE
13116	13116-2057	4	ROD-PUSH
39108	39108-2057	4	RETAINER-SPRING
49078	49078-2082	4	SPRING-ENGINE VALVE
92009	92009-1109	4	SCREW
92015	92015-1137	4	NUT
92049	92049-2109	4	SEAL-OIL
480	480J1200	4	CIRCLIP,12MM